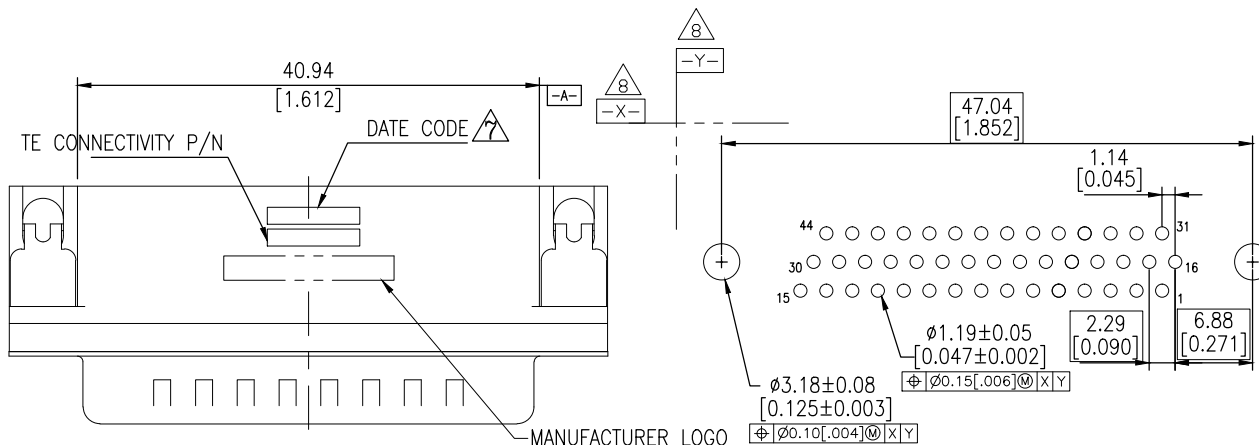
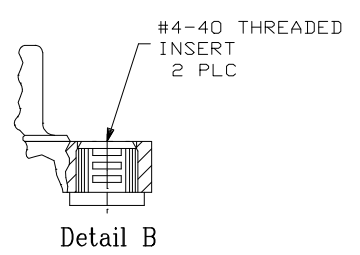
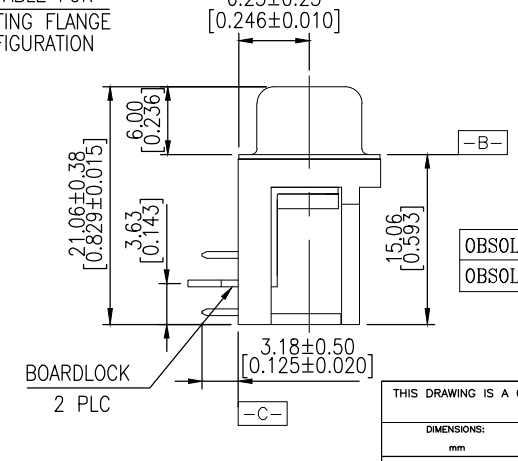
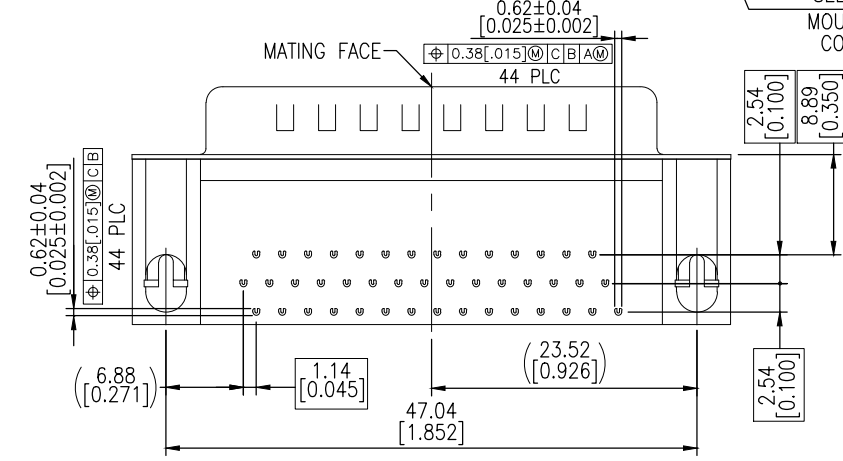
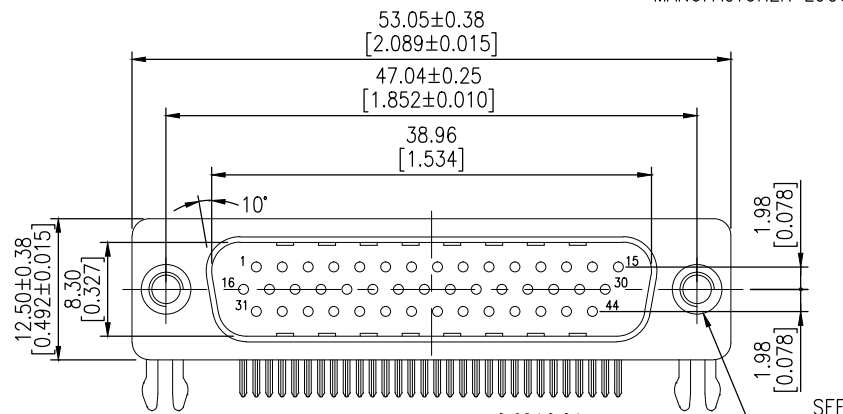


THIS DRAWING IS UNPUBLISHED. RELEASED FOR PUBLICATION  
 © COPYRIGHT - By - ALL RIGHTS RESERVED.

LOC		REVISONS					
GP	00	P	LTR	DESCRIPTION	DATE	DWN	APVD
		A2		REVISED PER ECR-14-000726	30APR2014	S.C	H.L



**RECOMMENDED PCB LAYOUT**



- HOUSING MATERIAL: PBT, GLASS FILLED, BLACK, UL 94V-0 RATED.
  - CONTACT MATERIAL: PHOSPHOR BRONZE.
  - CONTACT FINISH: GOLD PLATE IN MATING AREA (SEE TABLE), 120μ" MIN TIN PLATE ON SOLDER TAIL, BOTH OVER 50μ" MIN NICKEL UNDERPLATE.
  - SHELL: STEEL, NICKEL PLATE.
  - BOARDLOCK: BRASS, 100μ" MIN TIN PLATE.
  - THREADED INSERTS: BRASS, NICKEL PLATE.
- △ FOUR DIGIT DATE CODE IN THIS FORMAT.
- Year 01 45 Manufacturing Week
- △ DATUMS -X- & -Y- TO BE ESTABLISHED BY CUSTOMER.

OBSOLETE	Tray	Detail B	Gold flash	5749771-3
OBSOLETE	Tray	Detail B	15μ" MIN	5749771-2
	Tray	Detail B	30μ" MIN	5749771-1
	Packaging	Mounting Flange Configuration	CONTACT MATING AREA FINISH	PART NUMBER

THIS DRAWING IS A CONTROLLED DOCUMENT.		DWN	B. MCMASTER	22SEP05	TE Connectivity AMPLIMITE HD-22 44 POS PLUG, RIGHT ANGLE			
DIMENSIONS: mm		CHK	S. BOLASH	22SEP05				
TOLERANCES UNLESS OTHERWISE SPECIFIED:		APVD	M. WALMSLEY	22SEP05				
0 PLC ± - 1 PLC ± 0.30 2 PLC ± 0.20 3 PLC ± 0.10 4 PLC ± - ANGLES ± 2°		NAME						
MATERIAL		FINISH	APPLICATION SPEC		SIZE	CAGE CODE	DRAWING NO	RESTRICTED TO
-		-	-		A2	00779	C=5749771	-
CUSTOMER DRAWING					SCALE	3:1	SHEET	1 of 1
					REV	A2		